

CATEGORY	DESCRIPTION	P/N #
CONNECTOR	1394B 9PIN Female SMT	1394BF-09XL1-0002

PART NO.:  
1394BF-09XL1-0002

REV.	ECN NO	DESCRIPTION	REVISED	DATE
A01		New Release	GMC	2009.10.06

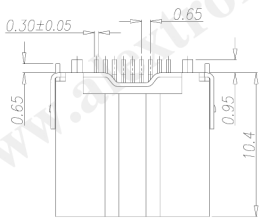
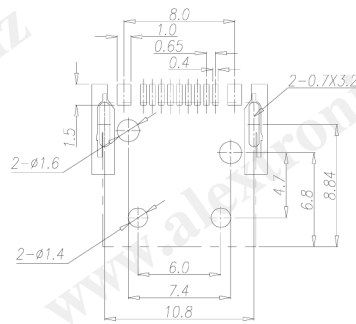
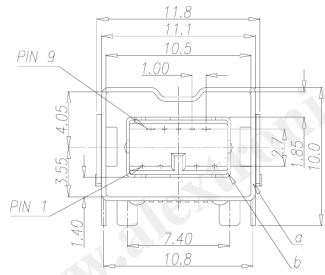
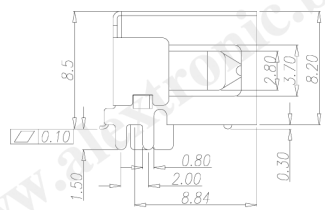


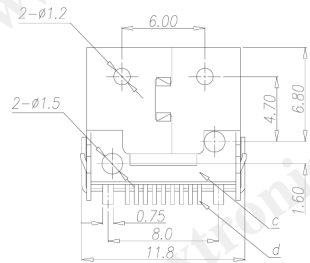
Table 1

X	Terminal Plating
1	Gold Flash Plating
3	Au 3u" Plating
5	Au 5u" Plating
7	Au 15u" Plating
8	Au 30u" Plating

Specification:  
 1.Voltage Current Rating: 1AMP, 30V AC  
 2.Insulation Resistance: 100MΩ MIN.  
 3.Contact Resistance: 50mΩ MAX.  
 4.Dielectric Withstanding Voltage:500V AC  
 5.Temperature Range:-20 °C to +85 °C  
 6.Insertion and Withdrawal Force:  
 Insertion Force: 39N MAX.  
 Withdrawal Force: 10N MIN.



Recommend PCB Layout  
(Jack Top View)  
Tolerance: ±0.05mm



NO.	PART NAME	Q'TY	MATERIAL	PLATING & COLOR	Remark
d	Terminal	9	Brass, T=0.2mm	See Table 1	
c	Housing	1	LCP UL94V-0	Black	
b	Inner Shell	1	Brass, T=0.2mm	Ni Plating	
a	Outer Shell	1	Brass, T=0.3mm	Ni Plating	

UNLESS OTHERWISE SPECIFIED TOLERANCES		SCALE: free	UNIT: mm	⊕ ⊖	DWG. NO:
DECIMALS: X : ±0.5 X.X : ±0.3 X.XX : ±0.2		A3	PAGE: 1 OF 1	REV: A01	WI-061-716
ANGLES: X : ±2' X.X : ±1'		APPROVED BY	WYX	CHECKED BY	PJ
		PREPARED BY		GMC	
CUSTOMER COPY					